

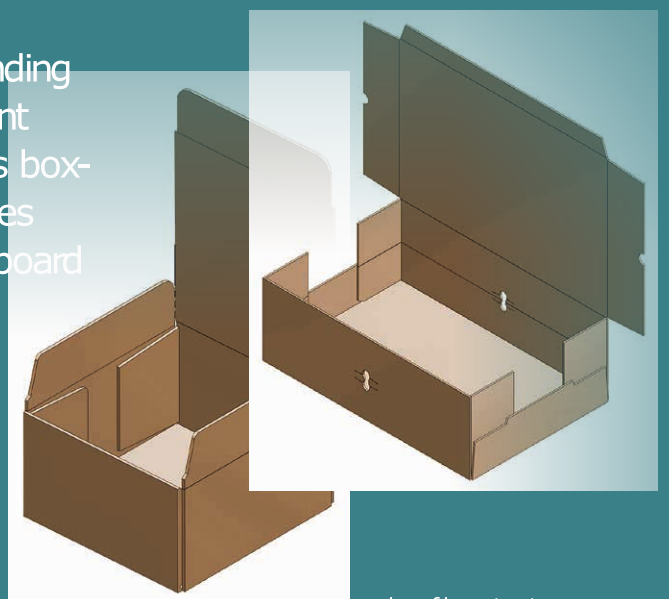


FORMECA

**AUTOMATIC
CLOSING MACHINES**

Formeca LC series

The LC closing machines, designed for demanding industrial applications, are suited to independent operation or use in combination with Formeca's box-forming machines. The LC closing machine uses hot-melt adhesive to seal the filled corrugated board packages with bottom structures constructed in a box forming machine. Adjustment for different package sizes is easy.



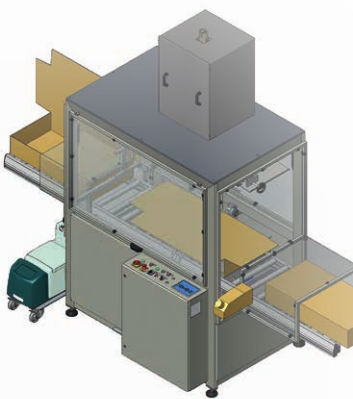
Examples of box structures.

LC closing machines are suited for integration at the end of the packaging line and are used for sealing corrugated board boxes that have been filled manually or automatically. Sealing is usually done using a hot-melt adhesive, but mechanical locking can also be used. The machines are suited for handling most types of corrugated board as well as various transport and sales packaging structures, at various speed ranges.

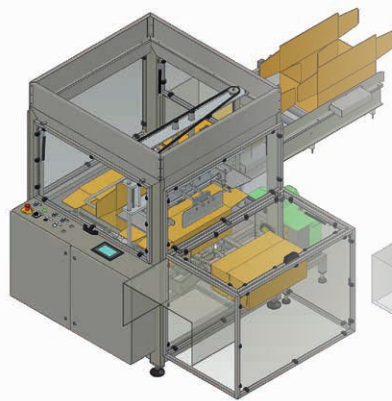
All Formeca machines are manufactured in Finland, and they can be tailored to meet the customer's specific packaging and logistics needs.

FEATURES

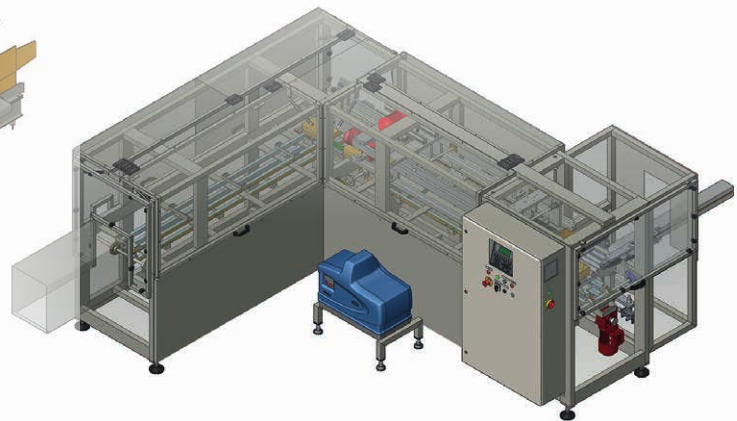
- handles various FEFCO structures; most commonly 0406, 0410, 0411, 0415, 0420
- program options and handwheel for quick size adjustment
- user instructions display available in various language versions
- closing and sealing using hot-melt adhesive (mechanical closing available as an option)
- connections: voltage 3x400VAC/50Hz and compressed air 0.6 MPa



LC-S



LC-V



LC-50

LC-S

- maximum capacity 10 boxes per minute
- minimum box-bottom size 200 x 200 mm and maximum 800 x 400 mm
- machine dimensions (length x width x height) 1,800 x 1,100 x 2,250 mm
- body made of stainless steel

LC-V

- maximum capacity 15 boxes per minute
- minimum box-bottom size 200 x 200 mm and maximum 600 x 400 mm
- machine dimensions (length x width x height) 1,200 x 1,300 x 1,900 mm
- body made of stainless steel

LC-50

- maximum capacity 50 boxes per minute
- minimum box-bottom size 160 x 100 mm and maximum 600 x 400 mm
- machine dimensions (length x width x height) 3,200 x 2,700 x 1,500 mm
- body made of stainless steel

LC-XL

- large closing machines
- machine capacity and box and body dimensions adjustable to meet specific needs
- body made of painted steel

Formeca is part of the Finnish technology company Orfer Oy.

Orfer Oy
Vaakatie 9, FI-16300 Orimattila FINLAND
Tel. +358 (0)3 884 11
www.orfer.fi

