

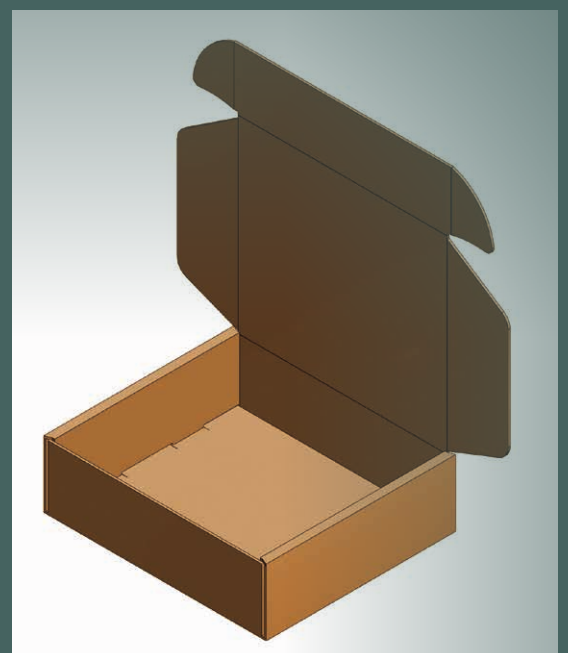


FORMECA

**AUTOMATIC BOX
FORMING MACHINES**

Formeca L-760

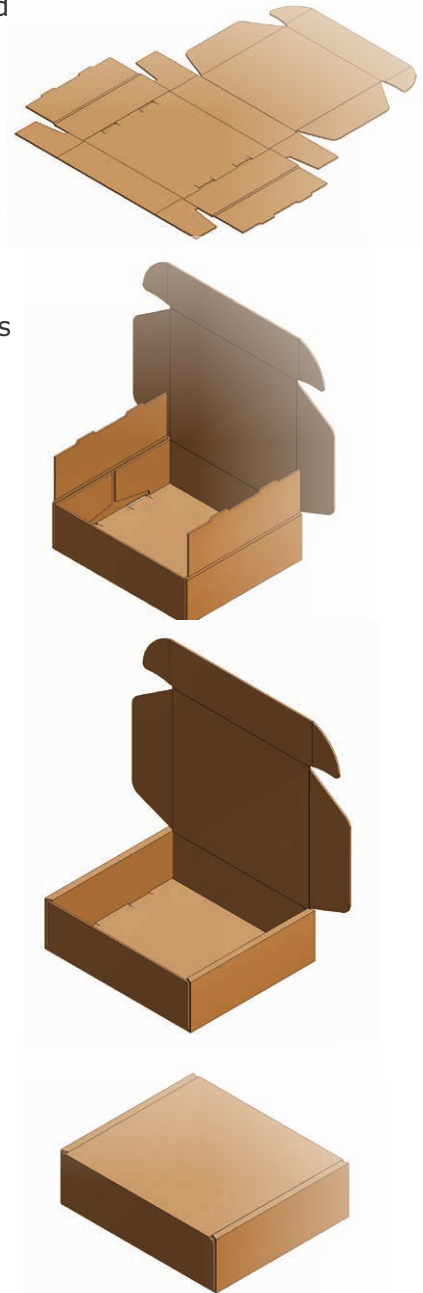
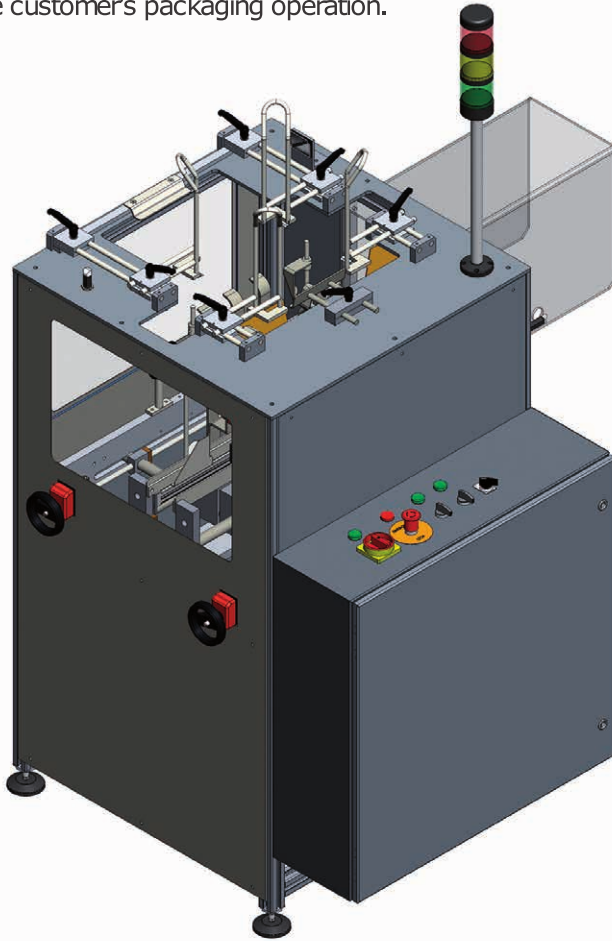
The Formeca L-760 box forming machine makes trays and sales packages from corrugated cardboard blanks by mechanical closure of locking flaps without the use of glue. It is ideal for small-scale packaging operations and enables automated packaging at a reasonable level of capital investment.



Example of box structure.

FORMECA L-760

Thanks to its compact size, the L-760 box forming machine can even be used in smaller facilities. It occupies only slightly more floor space than a domestic appliance. The machine is adjusted at the manufacturing stage to match the customer's required box design and always test-operated before leaving our factory. The customer will be able to change the box size using adjustment tools and replacement parts when required. The machine is made of stainless steel, making it suitable for use in a wide range of conditions including refrigerated facilities. All Formeca packaging machines are made in Finland. They can be modified for various box structures according to the requirements of the customer's packaging operation.



- the overhead blank magazine may be swiftly refilled during operation
- machine dimensions (length/width/height) 1030 x 760 x 1600 mm
- connections: 230VAC/50Hz electric power and 6 bar compressed air
- capacity of 10 boxes per minute
- FEFCO 0421, 0422, 0427
- adjustable for boxes of varying size and structure box size minimum 160 x 120 mm and maximum 310 x 280 mm

Formeca is part of the Finnish technology company Orfer Oy.

Orfer Oy
Vaakatie 9, FI-16300 Orimattila FINLAND
Tel. +358 (0)3 884 11
www.orfer.fi

